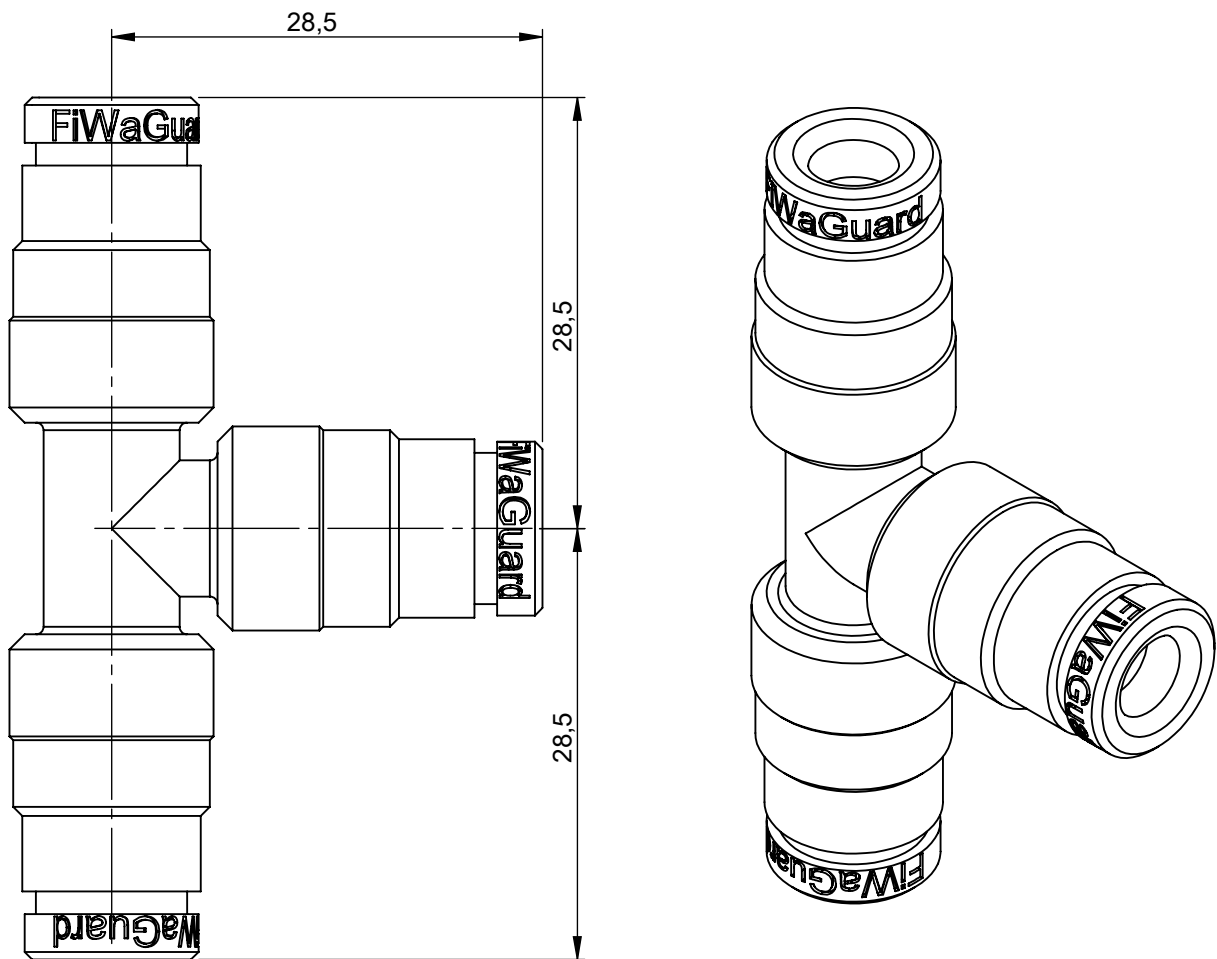



T-CONNECTOR

AEX/ADTCT

Brass Nickel-plated for FiWaGuard detecting tube Ø4x6



General tolerances according to DIN ISO 2768-1 m		UNLESS OTHERWISE SPECIFIED: DIMENSIONS ARE IN MILLIMETERS	
Shape and position tolerances according to DIN ISO 2768-2 H			
All edges and radii not measured: R0.2			
Weight: about 46g			
		Description: FiWaGuard T Ø6 plug connector	
 Valves & Regulators	Industriepark Region Trier Europa-Allee 12 54343 Föhren Deutschland +49 (0)6502 93 95 12 0	Datum: 3.10.09	Code: AEX/ADTCT
		Name: Felten	
		Gepr.:	Scale: 1: 1
		A4	